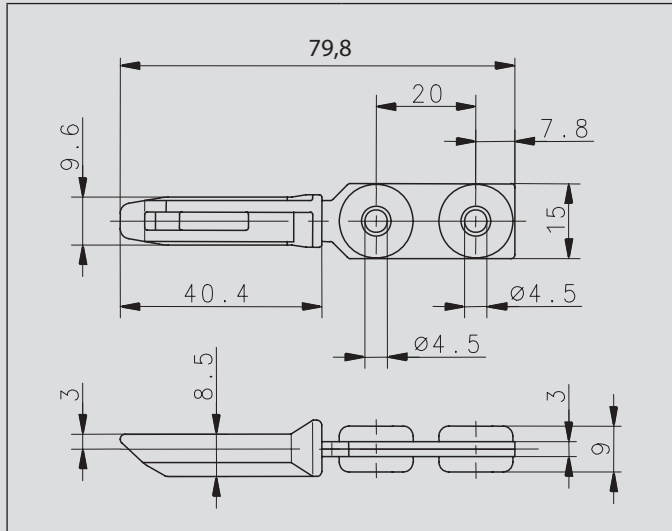


# Safety Switches with Separate Actuator and Interlock

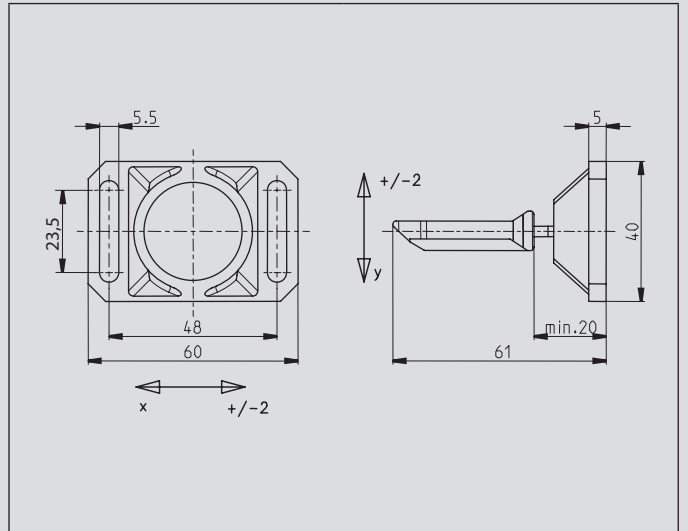
## Product selection SLK, ENK-VTU, ENM2-VTW

Article number	Designation
3911702228	Actuator A1



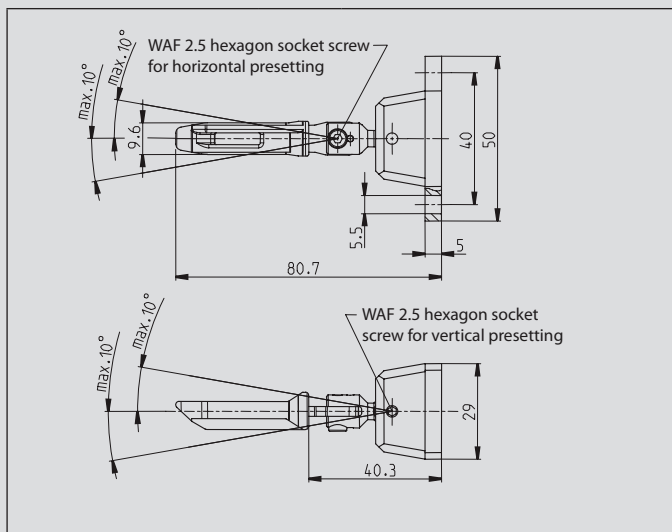
Mechanical data		
Actuator		Steel/PA
Minimum actuating radius	R <sub>min</sub>	400 mm

Article number	Designation
3911702231	Actuator A4



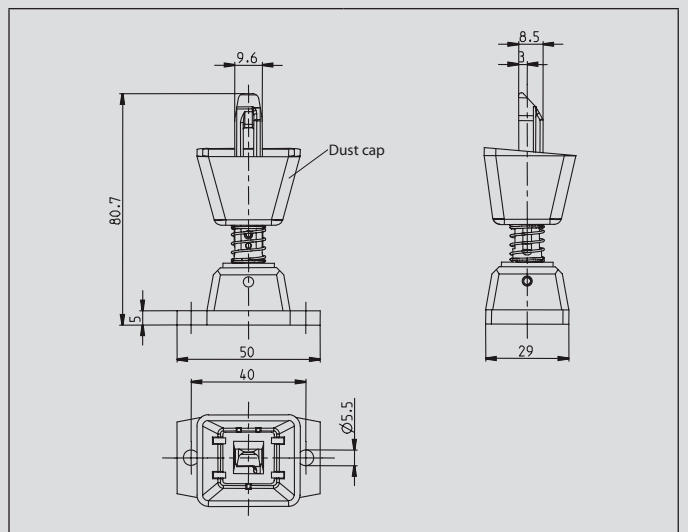
Mechanical data		
Actuator		Steel/PA
Enclosure		GD-Zn
Minimum actuating radius	R <sub>min</sub>	350 mm
Repositioning of spring-mounted actuator by 4 x 90° in mounted state.		

Article number	Designation
3911702229	Actuator A2



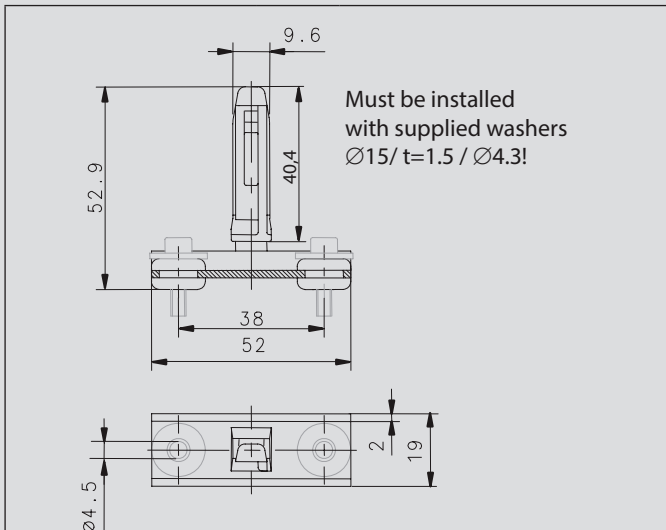
Mechanical data		
Enclosure / Actuator		Steel/PA
Minimum actuating radius	R <sub>min</sub>	150 mm
Repositioning of spring-mounted actuator by 4 x 90° in not mounted state.		
WAF 2.5 Allen key, supplied		

Article number	Designation
3911702230	Actuator A3



Mechanical data		
Enclosure / Actuator		Steel/PA
Dust cap		Elastomer CR
Minimum actuating radius	R <sub>min</sub>	400 mm
Repositioning of spring-mounted actuator by 4 x 90° in not mounted state.		

Article number	Designation
3911702234	Actuator A7



Mechanical data		
Actuator		Steel/PA
U-section		Steel
Minimum actuating radius	$R_{min}$	400 mm